



Think electric.

The new generation  
of compact loaders.

**miniZ**

[kovacoelectric.com](http://kovacoelectric.com)

**MiniZ is more  
than a loader,  
it is a proven  
concept.**

Thanks to constant innovations, we strive to be one step ahead at KOVACO ELECTRIC. We believe in the power of simplicity, which is why we have developed new types of 100% electric compact loaders. Powerful devices with up to 8 hours endurance on a single charge, zero negative impact on the environment, minimal maintenance costs and down time.



# Compact loader.

**MINI Z.** Compact and precisely manufactured electric loader represents the highest technology and years of experience of Kovaco Electric.

Battery life

**4-8<sub>h</sub>**

Dependant on use  
and load

Maximum lifting height

**2070<sub>mm</sub>**

Class Leading for  
extreme versatility

Load capacity

**400<sub>Kg</sub>**

Ultimate power in  
a small package



Extensive safety features

Ground breaking powertrain

Micro speed for precision maneuverability

Minimal maintenance

100% Eco-friendly

Compact Dimensions

**1150** height  
mm / **800** width  
mm

Fits through standard  
doorways

Remote control

**50** m

Safe, controlled ease of  
operation

Battery capacity

**10.8** kW

Full charge in  
under 5 hours

**Extreme power  
in compact  
design.**



**\*Fits through standard door.**

# Technical specifications.



| SPECIFICATIONS       | METRIC   | IMPERIAL |
|----------------------|----------|----------|
| Rated load capacity  | 400 kg   | 882 lb   |
| Tipping load         | 800 kg   | 1 764 lb |
| Minimum travel speed | 0,1 km/h | 0,06 mph |
| Maximum travel speed | 5 km/h   | 3,1 mph  |
| Hinge Pin Height     | 2070 mm  | 81.5 in  |
| Overall width        | 790 mm   | 31 in    |

| ENGINE                | METRIC   | IMPERIAL |
|-----------------------|----------|----------|
| Engine type: electric | 3xIPM120 | 3xIPM120 |
| Maximum performance   | 3x2,7 kW | 3x4 HP   |

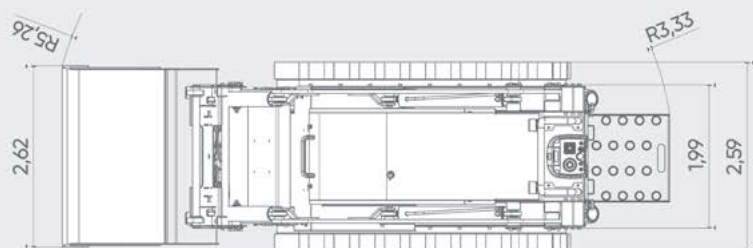
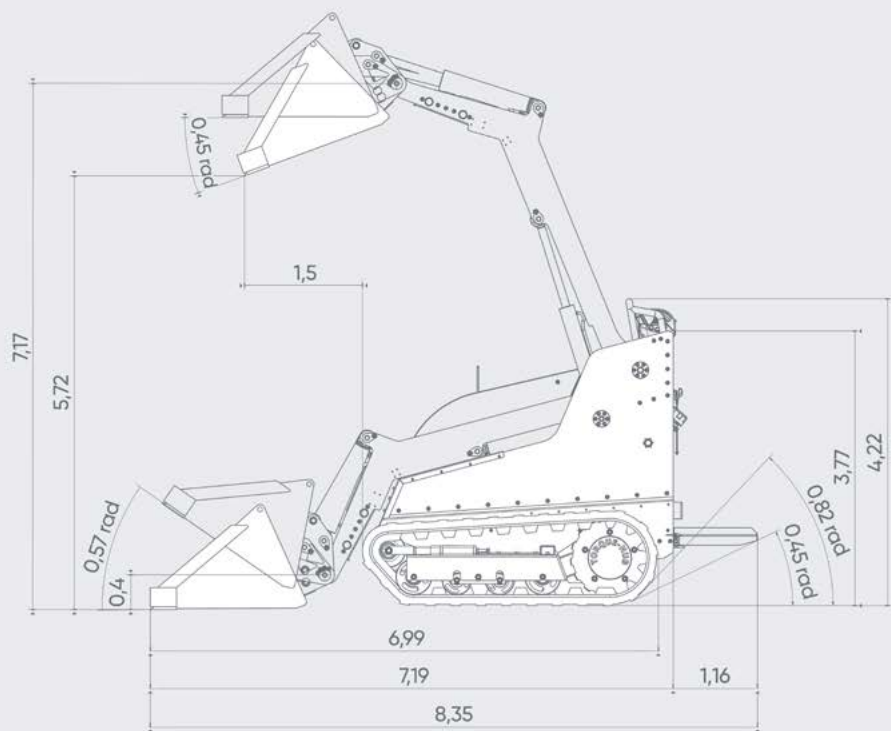
## STANDARD FEATURES

- Basic Bucket
- Danfoss Professional ISO Joystick Remote Control
- Lead-Acid battery 48V/225Ah
- External Battery Charger (Nema 14-50)
- Operator Platform
- Danfoss Hydraulic system
- 3 independent motors – 2 for drive, 1 for Hydraulics
- Micro-speed Control

Compare technical specifications for this product online at [www.kovacoelectric.com](http://www.kovacoelectric.com)



**miniZ**



| WEIGHTS                    | METRIC   | IMPERIAL |
|----------------------------|----------|----------|
| Rated operating weight     | 1 100 kg | 2 425 lb |
| Total weight of the loader | 1 500 kg | 3 307 lb |

| HYDRAULICS              | METRIC   | IMPERIAL    |
|-------------------------|----------|-------------|
| Hydraulic oil pressure  | 150 bar  | 2175,6 psi  |
| Hydraulic oil flow      | 25 l/min | 6,6 gal/min |
| Hydraulic oil reservoir | 30 l     | 7,9 gal     |

**Professional remote control with reach of 50m.**





# With a wide range of attachments.



4:1 bucket



Forks with retainer



Grate shovel



Pallet forks



Bulk bucket



... plus 9 other attachments  
on [kovacoelectric.com](http://kovacoelectric.com)



**We make something bigger.**

